



产品名称: 6V 1.5kg数码360度连续舵机
 Product Name: 6V 1.5kg.cm Digital 360 Degree Continuous rotation Servo

产品型号 Model No. FT90R-C002

1. 使用环境条件 Apply Environmental Condition

No.	Item	Specification
1-1	存储温度 Storage Temperature Range	-30°C~80°C
1-2	运行温度 Operating Temperature	-20°C~70°C

2. 测试环境 Standard Test Environment

No.	Item	Specification
2-1	温度 Temperature range	25°C ±5°C
2-2	湿度 Humidity range	65%±10%

3. 机械特性 Mechanical Specification

No.	Item	Specification
3-1	尺寸 Size	A: 22.5mm B: 12.1mm C: 22.4mm
3-2	重量 Weight	10.5g
3-3	齿轮类型 Gear type	Plastic Gear
3-6	机构极限角度 Limit angle	No Limit
3-7	轴承 Bearing	NO Ball bearings
3-8	出力轴 Horn gear spline	21T(4.86)
3-9	摆臂 Horn type	Plastic, POM
3-10	外壳 Case	PC
3-11	舵机线 Connector wire	250mm ±5 mm (JR) (Brown , Red and Orange)
3-12	马达 Motor	Metal brush motor
3-13	防水性能 Splash water resistance	NO

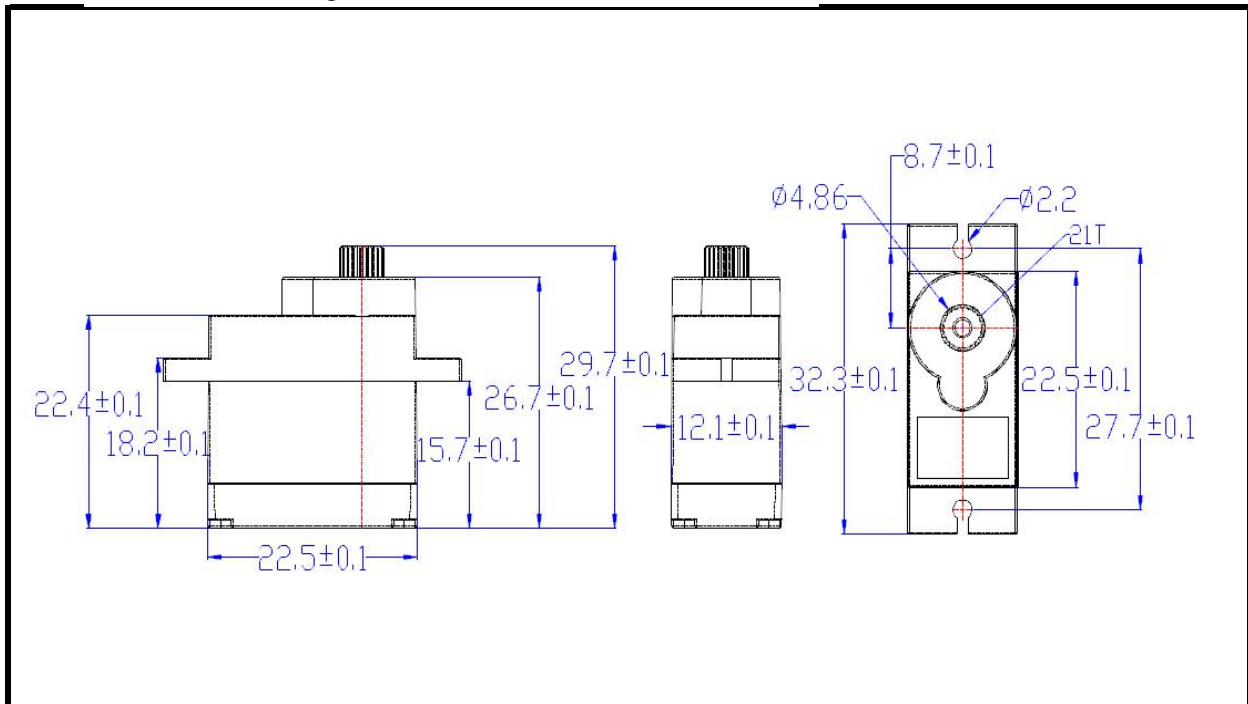
4. 电气特性 Electrical Specification (Function of the Performance)

No.	工作电压 Operating Voltage Range	3.0V	4.8V	6V
4-1*	静态电流 Idle current(at stopped)	4mA	5mA	6mA
4-2*	空载速度 No load speed	65RPM	90RPM	130RPM
4-3*	空载电流 Runnig current(at no load)	80mA	100 mA	120 mA
4-4	堵转扭矩 Peak stall torque	1.0kg. cm	1.3kg. cm	1.5kg. cm
		13.9oz. in	18.09oz. in	20.86oz. in
4-5	堵转电流 Stall current	450mA	700 mA	800mA

Note: "*"definition is average value when the servo runing with no load

产品名称: 6V 1.5kg数码360度连续舵机
Product Name: 6V 1.5kg.cm Digital 360 Degree Continuous rotation Servo
产品型号 Model No. FT90R-C002
5.控制特性 Control Specification:

No.	Item	Specification
5-1	控制信号 Command signal	Pulse width modification
5-2	放大器类型 Amplifier type	Digital comparator
5-3	脉冲宽度范围 Pulse width range	1000~2000μsec
5-4	中立位置 Neutral position	1500μsec
5-5	旋转角度 Running degree	360 Degree Continuous rotation
5-6	死区宽度 Dead band width	45 μsec
5-7	旋转方向 Rotating direction	CW(when 1500~1000 μsec) CCW(when 1500~2000 μsec)

6.外形图 The Drawings


7. 运动曲线图 Speed Curve

